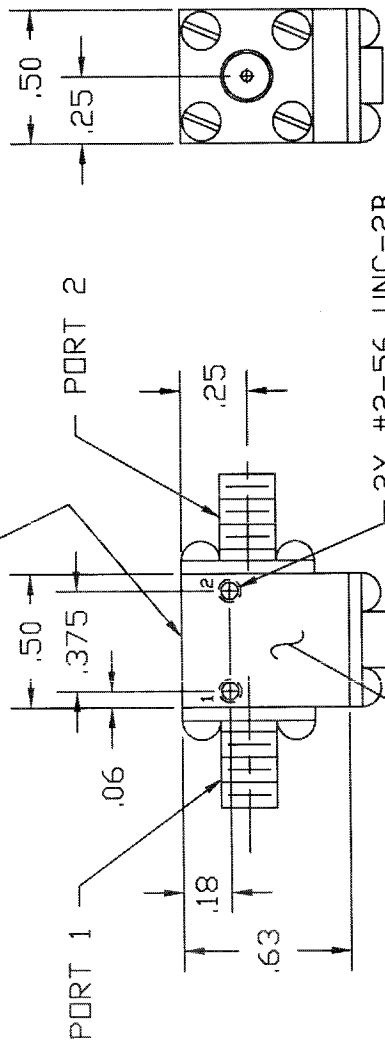


COMPUTER GENERATED DRAWING
MANUAL CHANGES NOT AUTHORIZED

REVISIONS		
REV.	DESCRIPTION	DATE
NC	INITIAL RELEASE	7-24-89
A	REV PER ECN: 5515 & 6966	

REV.	DATE	RELEASED BY
NC	7-24-89	L. RACE
A		

LABEL WITH
MODEL NO. &
SERIAL NO.,
THIS SURFACE



SPECIFICATIONS

1. FREQUENCY RANGE..... 8.50 TO 9.60 GHz
2. VSWR..... 1.15:1 MAX
3. INSERTION LOSS..... 0.3 MAX
4. ISOLATION..... 23 dB MIN
5. TEMPERATURE
 OPERATING..... -54° TO +85°C
 STORAGE..... -54° TO +85°C

CONNECTOR ORIENTATION			
DASH NO.	PORT 1	PORT 2	PORT 3
NONE	SMA FEMALE	SMA FEMALE	TERMINATED
-1	SMA MALE	SMA FEMALE	TERMINATED
-2	SMA FEMALE	SMA MALE	TERMINATED
-3	SMA MALE	SMA MALE	TERMINATED

NOTE: PART SHOWN IS SM18596 - NO DASH NUMBER.

ITEM	QTY	FRSCM	PART OR	NUMERICAL	MATERIAL
DESC	REQD	NO.	DESCRIPTION	OR	SPECIFICATION
PARTS LIST					
CONTRACT NO. SIERRA MICROWAVE TECHNOLOGY					
TITLE: OUTLINE FOR SM18596-X					
APPROVALS		DATE		SIZE	
DRAWN: J. DARJES		7-13-89		FRSCM NO. 1CY63	
CHECKED:		L. RACE		REV 205-0677-001	
DATE: 7-24-89		L. RACE		REV A	
BY: & PROVISIONS		S.L.		SCALE	
MATERIAL		DO NOT SCALE DRAWING		SECRET	
204-0203-001 SM18596-3		APPLICATION		OF	
204-0182-001 SM18596-1 & 2					
204-0138-001 SM18596					
LIST OF MAT'L. USED ON					