

COMPUTER GENERATED DRAWING
MANUAL CHANGES NOT AUTHORIZED

REVISIONS

REV.	DESCRIPTION	DATE	RELEASED BY
NC	INITIAL RELEASE	2-28-86	T.R.
A	REV PER ECN: 5515	4-3-00	M.T.
B	REV PER ECN: 7382		

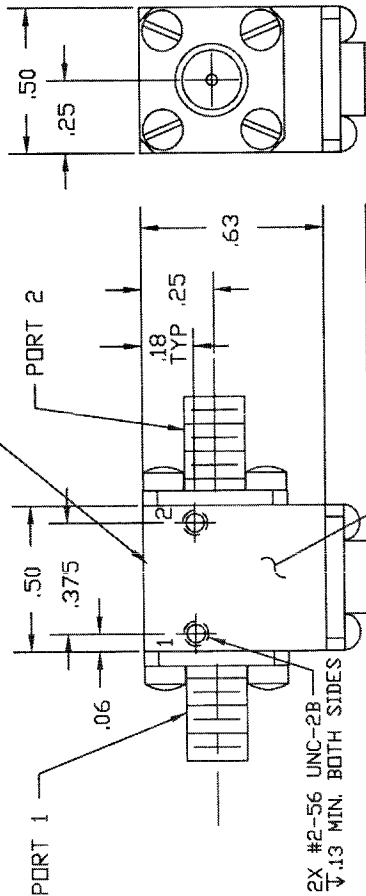
SPECIFICATIONS

1. FREQUENCY RANGE_____8.0 TO 12.4 GHZ
2. VSWR_____1.25:1 MAX
3. ISOLATION_____20 dB MIN
4. INSERTION LOSS_____0.4 dB MIN
5. TEMPERATURE_____ -54° TO +85°C

CONNECTOR ORIENTATION			
DASH NO.	PORT 1	PORT 2	PORT 3
NONE	SMA FEMALE	SMA FEMALE	TERMINATED
-1	SMA MALE	SMA FEMALE	TERMINATED
-2	SMA FEMALE	SMA MALE	TERMINATED
-3	SMA MALE	SMA MALE	TERMINATED

* PART DRAWN IS SM18012 - NO DASH NUMBER.

LABEL WITH MODEL NO.
AND SERIAL NO.
THIS SURFACE



ITEM	QTY	FRSCH	PART OR	REWORK	DESCRIPTION	REVISIONS
DELIVER CONTAINING SPECIFIED INFORMATION AND DOCUMENTATION FOR THE PROJECT PART NO. 204-0538-001 DATE 2-28-86 DRAWN BY T. RODRIGUEZ CHECKED BY T. RODRIGUEZ DATE 2-28-86 MFG & PACKING						CONTRACT NO. SMT SIERRA MICROWAVE TECHNOLOGY TITLE: OUTLINE FOR SM18012-X
APPROVALS T. RODRIGUEZ 2-28-86 DATE T. RODRIGUEZ 2-28-86 DATE						SIZE B FROM NO. ICY63 DWG NO. 205-0033-001 REV B
MATERIALS 204-0540-001 SM18012-3 204-0539-001 SM18012-1B2 204-0538-001 SM18012 LIST OF MAT'L. USED ON						REVISIONS 2-28-86 T.R. 4-3-00 M.T.
PARTS LIST DO NOT SCALE DRAWING APPLICATION						SECRET OF