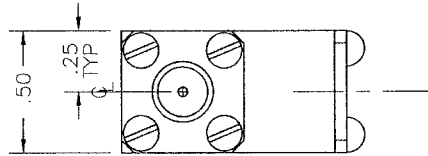
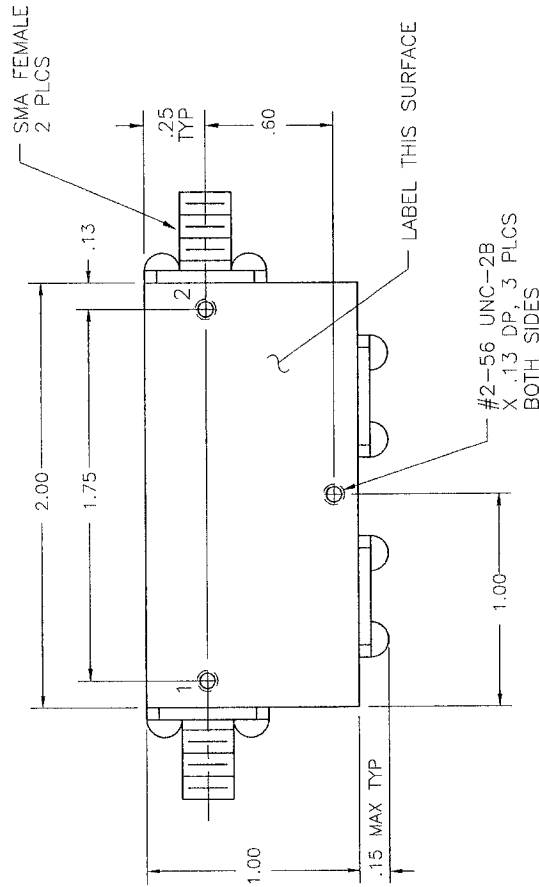


COMPUTER GENERATED DRAWING  
MANUAL CHANGES NOT AUTHORIZED

REVISIONS

REV.	DESCRIPTION	DATE	RELEASED BY
NC	INITIAL RELEASE	6-13-86	T.R.
A	REV PER ECN: 7300 & 8784	4-15-87	T.R.



SPECIFICATIONS

1. FREQUENCY RANGE 4.0 TO 8.0 GHz
2. VSWR 1.25:1 MAX
3. ISOLATION 40 dB MIN
4. INSERTION LOSS 0.8 dB MAX
5. TEMPERATURE OPERATING 54° TO +85°C STORAGE -65° TO +95°C

ITEM	QTY REQ'D	FSCM NO.	PART OR IDENTIFICATION NO.	NOMENCLATURE OR DESCRIPTION	MATERIAL SPECIFICATION
PARTS LIST					
UNLESS OTHERWISE SPECIFIED DIMENSIONS ARE IN INCHES TOLERANCES ARE FRACTIONS DECIMALS ANGLES .XX.02 ± .XXX.010					
CONTRACT NO.					
APPROVALS		DATE		TITLE:	
DRAWN: J. DARJES		6-13-86		SIERRA MICROWAVE TECHNOLOGY  OUTLINE FOR SMI4080H	
CHECKED:					
DESIGN ENG.					
MAT. & PROCESSOR: T. RODRIGUEZ		6-13-86			
FINISH:				SIZE	FSCM NO.
				B	1CY63
DO NOT SCALE DRAWING				DWG NO.	205-0051-001
APPLICATION				REV	A
				SHBET	OF