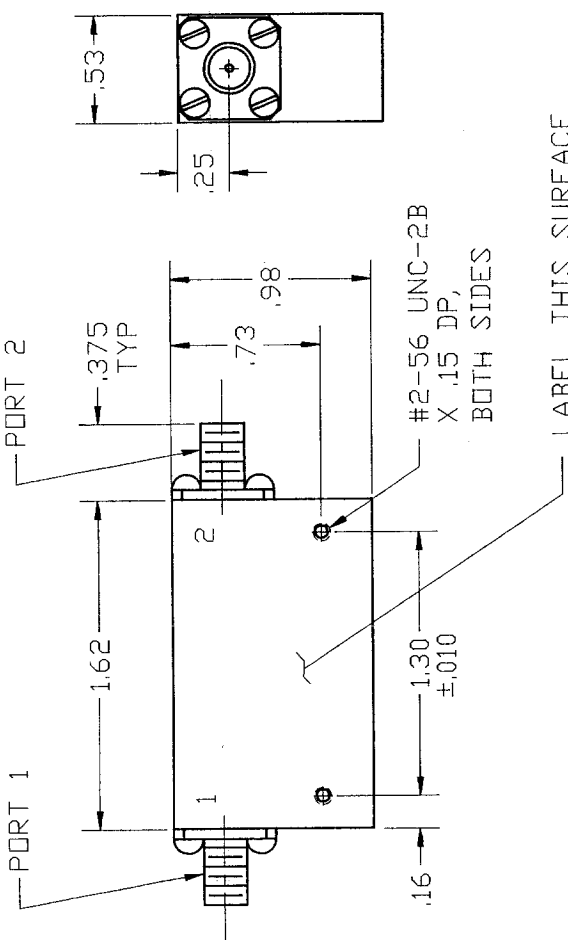


REVISIONS			
REV.	DESCRIPTION	DATE	APPROVED
NC	INITIAL RELEASE	3-8-95	M.T.
A	REV PER ECN 4710	3-14-95	M.T.
B	REV PER ECN 4802	5-22-95	M.T.
C	REV PER ECN 4811	5-25-95	M.T.
D	REV PER ECN 4840	6-14-95	M.T.



SPECIFICATIONS

- FREQUENCY RANGE: 4.0 - 20.0 GHZ
- VSWR: 1.40:1 MAX 1.25:1 TYP
- ISOLATION: 23 dB MIN @ 4.0-12.0 GHZ 28 dB TYP
18 dB MIN @ 12.0-18.0 GHZ 20 dB TYP
15 dB MIN @ 18.0-20.0 GHZ 17 dB TYP
- INSERTION LOSS: 2.0 dB MAX @ 4.0-15.0 GHZ 1.5 dB TYP
2.5 dB MAX @ 15.0-18.0 GHZ 2.0 dB TYP
2.8 dB MAX @ 18.0-20.0 GHZ 2.5 dB TYP
- TEMPERATURE RANGE: OPERATING 0°C TO +50°C
STORAGE -65°C TO +100°C
- LOAD RATING: 5 WATTS MAXIMUM

CONNECTOR ORIENTATION			
DASH NO.	PORT 1	PORT 2	PORT 3
NONE	SMA FEMALE	SMA FEMALE	INTERNAL LOAD
-1	SMA MALE	SMA FEMALE	INTERNAL LOAD
-2	SMA FEMALE	SMA MALE	INTERNAL LOAD
-3	SMA MALE	SMA MALE	INTERNAL LOAD

** STANDARD SMI4020 IS SHOWN (NO DASH NO.)

CITY RECD		FCIM NO.		PART OR IDENTIFYING NO.		NOMENCLATURE OR DESCRIPTION		MATERIAL SPECIFICATION	
PARTS LIST									
UNLESS OTHERWISE SPECIFIED DIMENSIONS ARE IN INCHES FRACTIONS DECIMALS ANGLES		.XX ± .02		.XXX ± .010		CONTRACT NO.		DATE	
MATERIAL		FINISH		APPROVALS		DRAWN		CHECKED	
204-0279-001		SMI4020-142		D STALLY		3		3	
NEXT ASSY		USED ON		ISSUED		3		3	
APPLICATION		SMI4020		3		3		3	
<p style="text-align: center;">SIERRA MICROWAVE TECHNOLOGY</p> <p style="text-align: center;">OUTLINE FOR SMI4020-X</p>									
SIZE		FSCM NO.		DWG. NO.		REV.		SHEET	
B		1CY63		205-1909-001		D		1	