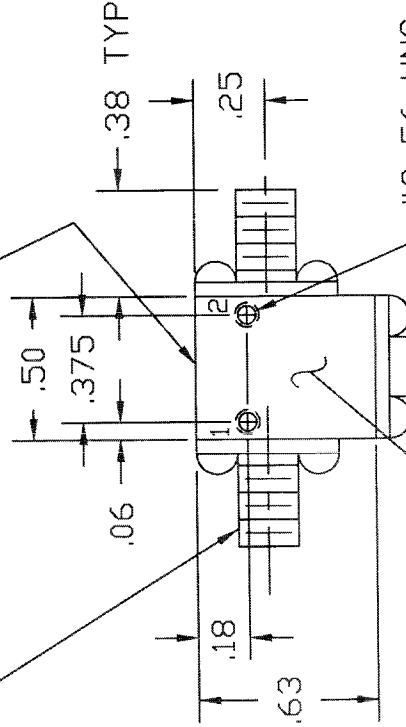
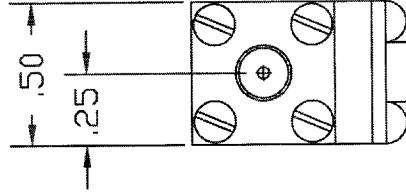


REVISIONS

REV.	DESCRIPTION	DATE	APPROVED
NC	INITIAL RELEASE		

LABEL WITH
MODEL NO. &
SERIAL NO.,
THIS SURFACE

CONNECTOR,
2.9mm FEMALE
2 PLCS



#2-56 UNC-2B
X .13 DP, 2 PLCS
BOTH SIDES

SMT LOGO LABEL,
THIS SURFACE

SPECIFICATIONS

1. FREQUENCY RANGE..... 30.0 TO 35.0 GHz
2. VSWR.....1.40:1 MAX
3. INSERTION LOSS..... 0.8 dB MAX
4. ISOLATION..... 16 dB MIN
5. TEMPERATURE:
 - OPERATING..... -54° TO +85° C
 - STORAGE..... -54° TO +85° C

QTY	FSCM REQD. NO.	PART OR IDENTIFYING NO.	NOMENCLATURE OR DESCRIPTION	MATERIAL SPECIFICATION
PARTS LIST				
FRACTIONS DECIMALS ANGLES ± .XX± .02 ±		APPROVALS		
MATERIAL		DRAWN S. REED		
FINISH		CHECKED		
NEXT ASSY		ISSUED		
APPLICATION		SCALE		
SMT3035		DWG. NO. 205-2191-001		
USED DN		REV.		
		SHEET		



SIERRA MICROWAVE TECHNOLOGY

OUTLINE FOR SMI3035