

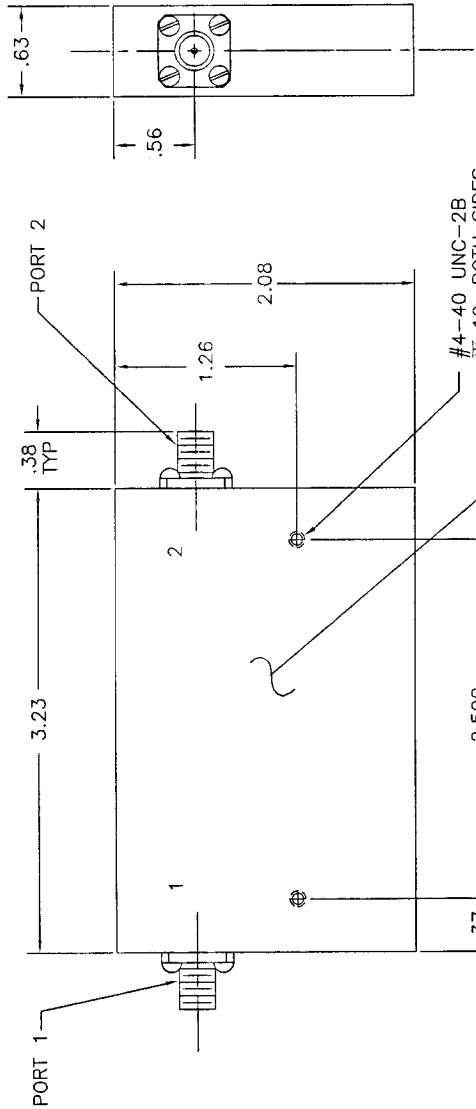
COMPUTER GENERATED DRAWING
MANUAL CHANGES NOT AUTHORIZED

REVISIONS

REV.	DESCRIPTION	DATE	RELEASED BY
NC	INITIAL RELEASE	12-12-86	T.R.
A	REV PER ECN: 5515	12-07-99	M.T.
B	REV PER ECN: 8673	2-15-03	M.T.
C	REV PER ECN: 8736		

SPECIFICATIONS

- FREQUENCY RANGE: 2.0 - 8.0 GHz
- VSWR: 1.35:1 MAX
- ISOLATION: 20 dB MIN 2.0-6.0 GHz
15 dB MIN 6.0-8.0 GHz
- INSERTION LOSS: 1.5 dB MAX 2.0-2.2 GHz
1.1 dB MAX 2.2-6.0 GHz
1.5 dB MAX 6.0-8.0 GHz
- TEMPERATURE RANGE:
OPERATING: 0° TO +50°C
STORAGE: -65° TO +125°C
- REVERSE POWER: 10 WATTS



CONNECTOR ORIENTATION			
DASH NO.	PORT 1	PORT 2	PORT 3
NONE	SMA FEMALE	SMA FEMALE	TERMINATED
-1	SMA MALE	SMA FEMALE	TERMINATED
-2	SMA FEMALE	SMA MALE	TERMINATED
-3	SMA MALE	SMA MALE	TERMINATED

NOTE: PART SHOWN IS SMI2010--NO DASH NUMBER

ITEM	QTY	FSCM	PART OR	NOMENCLATURE	MATERIAL
	REQ'D	NO.	IDENTIFICATION NO.	OR DESCRIPTION	SPECIFICATION
PARTS LIST					
UNLESS OTHERWISE SPECIFIED DIMENSIONS ARE IN INCHES FRACTIONS DECIMALS ANGLES X.XX .00 .X X.XXX .010					
CONTRACT NO.		SIERRA MICROWAVE TECHNOLOGY			
APPROVALS		TITLE: OUTLINE FOR SMI2080-X			
CHECKED: J. DARRIES		DATE: 12-12-86			
DESIGN ENG: T. RODRIGUEZ		DATE: 12-12-86			
MTC. & PROGRESS		DATE:			
Q.A.		DATE:			
MATERIAL		SIZE FSCM NO. DWG NO. REV			
FINISH		B 1CY63 205-0125-001 C			
DO NOT SCALE DRAWING		BROD SCALE SHEET OF			

APPLICATION	USED ON
204-0393-001	SMI2080-3
204-0392-001	SMI2080-1&2
204-0015-001	SMI2080
LIST OF MAT'L	USED ON