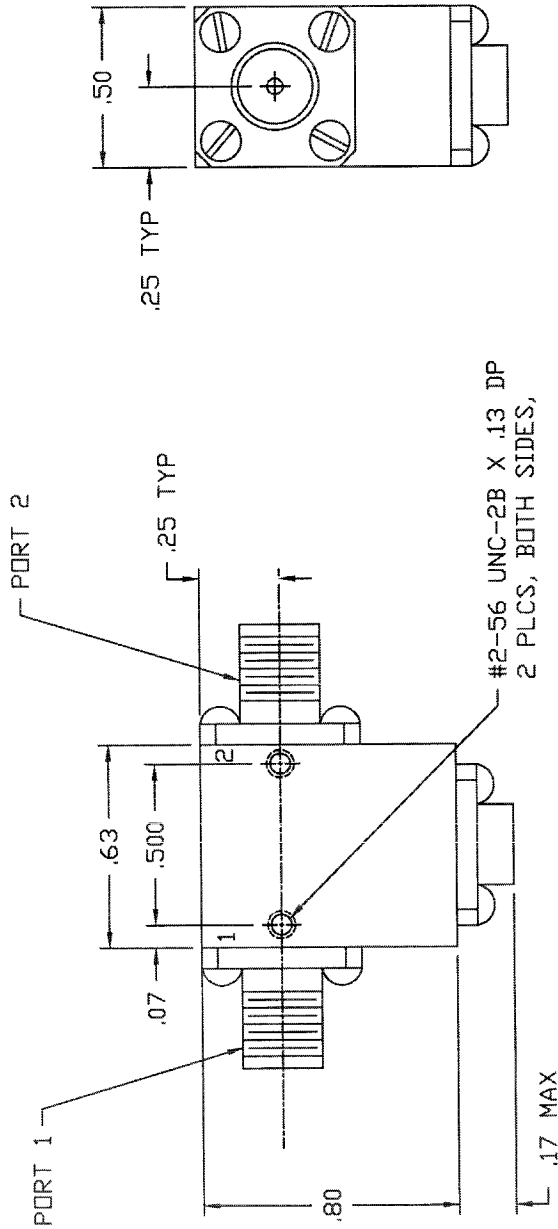


REVISIONS		
REV.	DESCRIPTION	DATE
NC	INITIAL RELEASE	
		APPROVED

SPECIFICATIONS

- FREQUENCY RANGE _____ 10 to 15 GHz
- VSWR _____ 1.25:1 MAX
- ISOLATION _____ 20 dB MIN
- INSERTION LOSS _____ 0.4 dB MAX
- TEMPERATURE:
 OPERATING _____ -54° TO +85°C
 STORAGE _____ -54 TO +100°C



#2-56 UNC-2B X .13 DP
2 PLCS, BOTH SIDES,

CONNECTOR ORIENTATION			
DASH NO.	PORT 1	PORT 2	PORT 3
NONE	SMA FEMALE	SMA FEMALE	TERMINATION
-1	SMA MALE	SMA FEMALE	TERMINATION
-2	SMA FEMALE	SMA MALE	TERMINATION
-3	SMA MALE	SMA MALE	TERMINATION

NOTE: PART DRAWN IS SMI1015 NO DASH NO.

QTY	FSCM	PART OR	MATERIAL	
REQD NO.	IDENTIFNG NO.	DESCRIPTION	SPECIFICATION	
PARTS LIST				
FRACTIONS DECIMALS ANGLES XX± .02 ± XXX± .010		APPROVALS	DATE	
MATERIAL		DRAWN S. REED		
FINISH		CHECKED		
NEXT ASSY		ISSUED		
204-0297-001	SMI1015-X	SIERRA MICROWAVE TECHNOLOGY		
USED DN	APPLICATION	OUTLINE FOR SMI1015-X		
		SIZE	FSCM NO.	DWG. NO.
		B	1CY63	205-2198-001
		SCALE		REV.
				SHEET