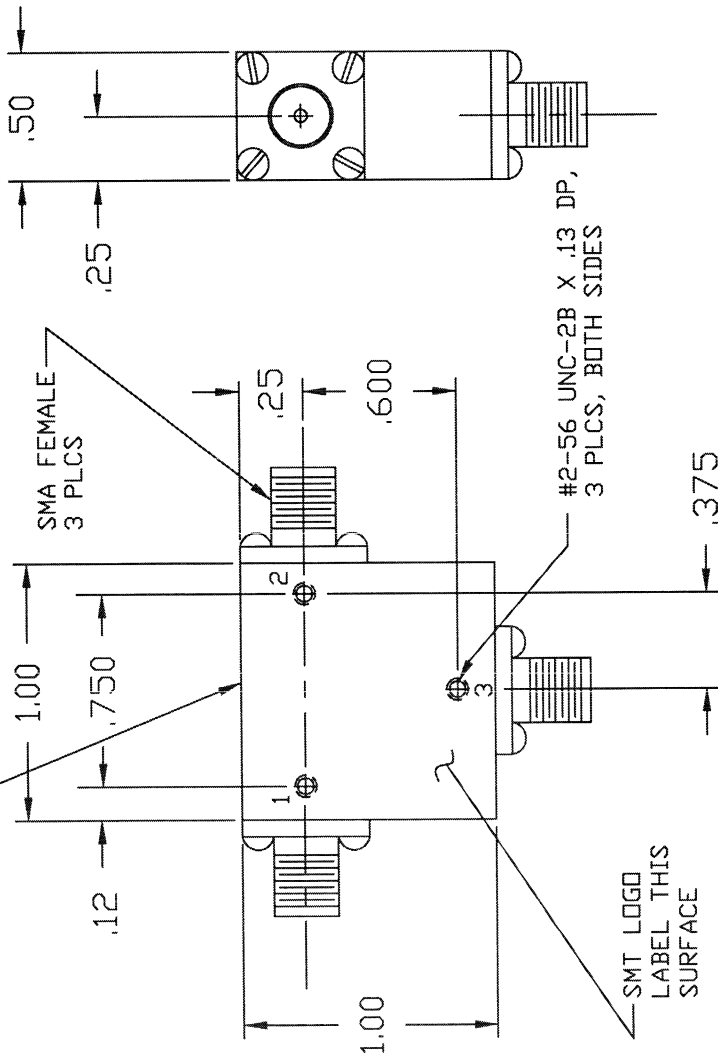


REV.	DESCRIPTION	DATE	APPROVED
NC	INITIAL RELEASE		

LABEL WITH MODEL NO.
AND SERIAL NO.
THIS SURFACE



SPECIFICATIONS

1. FREQUENCY RANGE ----- 3.4 TO 4.2 GHz
2. VSWR ----- 1.25:1 MAX
3. INSERTION LOSS ----- 0.4 dB MAX
4. TEMPERATURE ----- -20°C TO +65°C



SIERRA MICROWAVE TECHNOLOGY

OUTLINE FOR SMC3442

SIZE	FSCM NO.	DWG. NO.	REV.
B	1CY63	205-1541-001	
SCALE			

FRACTIONS DECIMALS ANGLES ±

.XXX± .02
.XXX± .010

MATERIAL

FINISH

APPROVALS	DATE
DRAWN	
CHECKED	
ISSUED	
NEXT ASSY	SMC3442
USED ON	
APPLICATION	