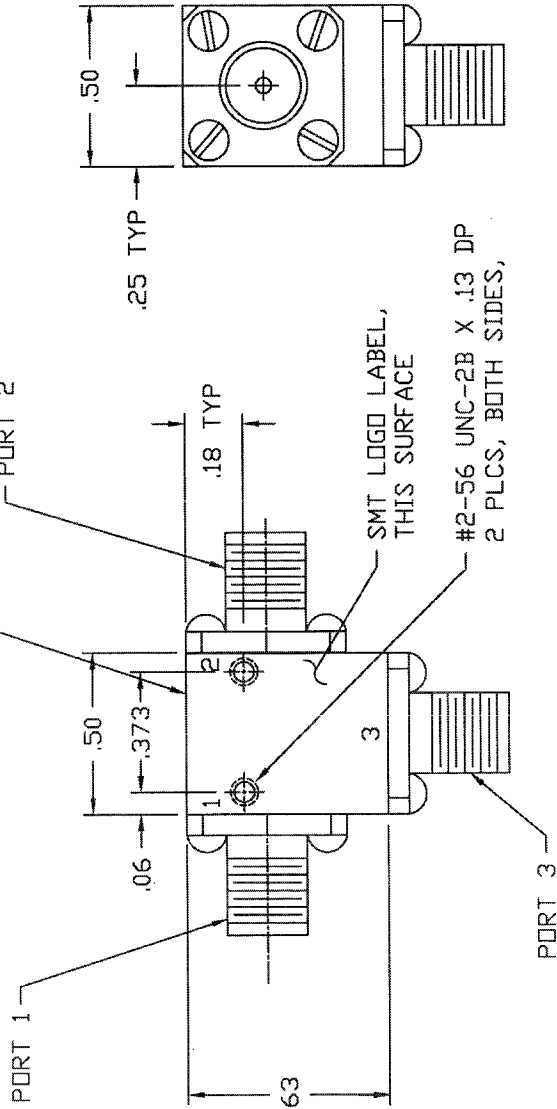


REVOLUTIONS			
REV.	DESCRIPTION	DATE	APPROVED
NC	INITIAL RELEASE		
A	REV PER ECN: 5515		

LABEL WITH MODEL NO. AND SERIAL NO. THIS SURFACE.



SPECIFICATIONS

1. FREQUENCY RANGE _____ 13.0 TO 16.0 GHZ
2. VSWR _____ 1.25:1 MAX
3. INSERTION LOSS _____ 0.4 dB MAX
4. TEMPERATURE:
 - OPERATING _____ -54° TO +125°C
 - STORAGE _____ -54° TO +125°C

CONNECTOR ORIENTATION			
DASH NO.	PORT 1	PORT 2	PORT 3
NONE	SMA FEMALE	SMA FEMALE	SMA FEMALE
-1	SMA MALE	SMA FEMALE	SMA FEMALE
-2	SMA FEMALE	SMA MALE	SMA FEMALE
-3	SMA FEMALE	SMA FEMALE	SMA MALE
-4	SMA MALE	SMA MALE	SMA FEMALE
-5	SMA FEMALE	SMA MALE	SMA MALE
-6	SMA MALE	SMA MALE	SMA MALE
-7	SMA MALE	SMA FEMALE	SMA MALE

** PART DRAWN IS SMC1316 - NO DASH NO.

QTY	FSCM RECD NO.	PART OR IDENTIFYING NO.	NOVOLUME OR DESCRIPTION	MATERIAL SPECIFICATION
PARTS LIST				
FRACTIONS DECIMALS ANGLES ± .XX± .02 ± ± .XXX± .010		APPROVALS		DATE
MATERIAL		DRAWN		
FINISH		CHECKED		
204-0034-001		ISSUED		
NEXT ASSY USED ON		SIZE		FSCM NO.
APPLICATION		B		1CY63
		SCALE		DWG. NO.
				205-0081-001
				REV.
				SHEET



SIERRA MICROWAVE TECHNOLOGY

OUTLINE FOR SMC1316-X