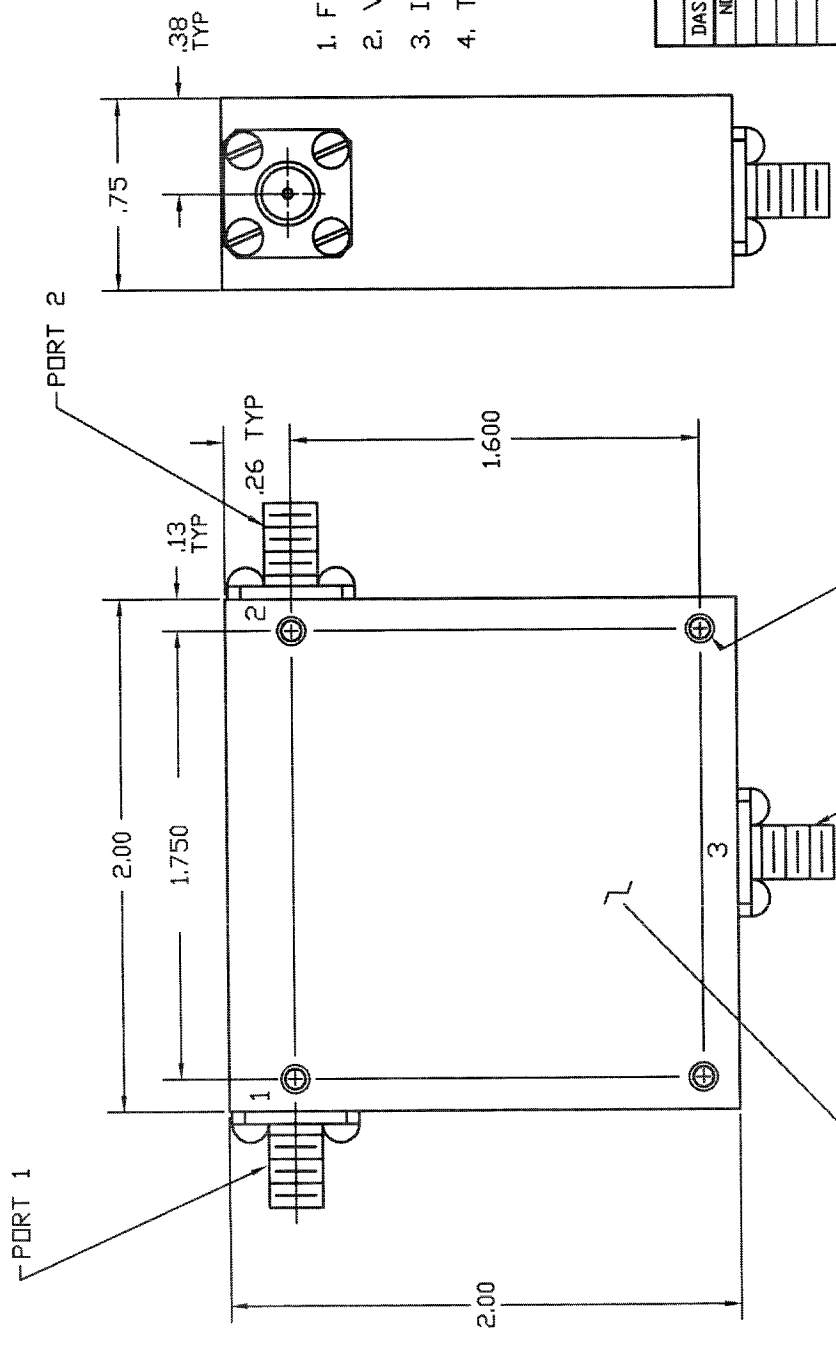


| REVISIONS |                   |      |
|-----------|-------------------|------|
| REV.      | DESCRIPTION       | DATE |
| NC        | INITIAL RELEASE   |      |
| A         | REV PER ECN: 5515 |      |



SPECIFICATIONS

1. FREQUENCY RANGE----- 400 TO 500 MHz
2. VSWR----- 1.401 MAX
3. INSERTION LOSS----- 0.5 dB MAX
4. TEMPERATURE  
 OPERATING----- 0° TO +60°C  
 STORAGE----- -54° TO +100°C

| CONNECTOR ORIENTATION |            |            |            |
|-----------------------|------------|------------|------------|
| DASH NO.              | PORT 1     | PORT 2     | PORT 3     |
| NONE                  | SMA FEMALE | SMA FEMALE | SMA FEMALE |
| -1                    | SMA MALE   | SMA FEMALE | SMA FEMALE |
| -2                    | SMA FEMALE | SMA MALE   | SMA FEMALE |
| -3                    | SMA FEMALE | SMA FEMALE | SMA MALE   |
| -4                    | SMA MALE   | SMA MALE   | SMA FEMALE |
| -5                    | SMA MALE   | SMA FEMALE | SMA MALE   |
| -6                    | SMA MALE   | SMA MALE   | SMA MALE   |

PART DRAWN IS SMC0405 NO DASH NUMBER

| CITY / FSCH / RECD. NO.                              |  | PART OR IDENTIFYING NO. |  | NUMERICAL OR DESCRIPTION |  | MATERIAL SPECIFICATION                   |  |
|--|--|-------------------------|--|--------------------------|--|--|--|
|  |  |                         |  | PARTS LIST               |  |  |  |
| FRACTIONS DECIMALS ANGLES<br>X .001 .01 .0001 .001 ° |  | APPROVALS               |  | DATE                     |  | SIERRA MICROWAVE TECHNOLOGY              |  |
| MATERIAL   |  | DRAWN                   |  |                          |  | OUTLINE FOR SMC0405-X                    |  |
| FINISH   |  | CHECKED                 |  |                          |  | SIZE FSCH NO. DWG. NO. 205-1757-001 REV. |  |
| 204-0247-001 SMC0405                                 |  | ISSUED                  |  |                          |  | B 1CY63                                  |  |
| NEXT ASSY USED ON                                    |  |                         |  |                          |  | SCALE                                    |  |
| APPLICATION  |  |                         |  |                          |  | SHEET                                    |  |