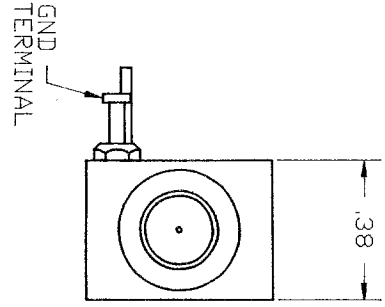
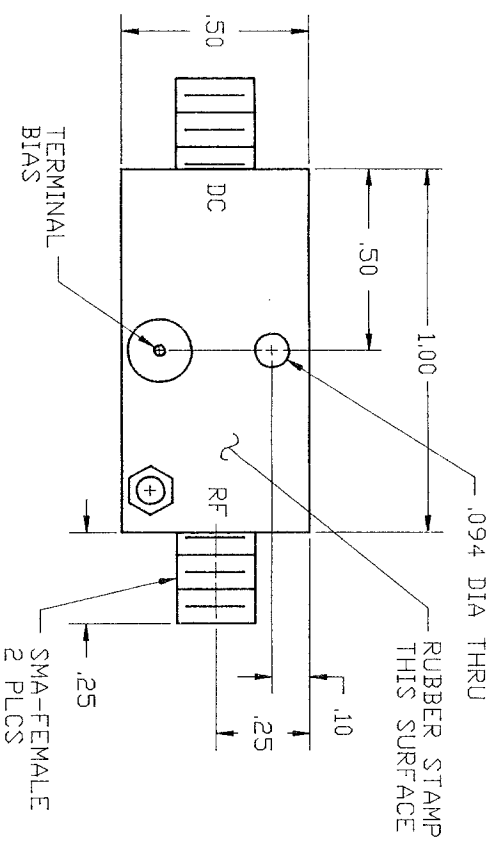


DWG. NO. SH REV

| REVISIONS |                      |          |             |
|-----------|----------------------|----------|-------------|
| REV       | DESCRIPTION          | DATE     | APPROVED    |
| 1         | INITIAL RELEASE      | 11-13-71 | [Signature] |
| 2         | NEW BIAS CONNECTIONS | 1-20-72  | [Signature] |



**SPECIFICATIONS**

FREQUENCY RANGE: 2.0 TO 18.0 GHz

VSWR: 1.5:1 MAX

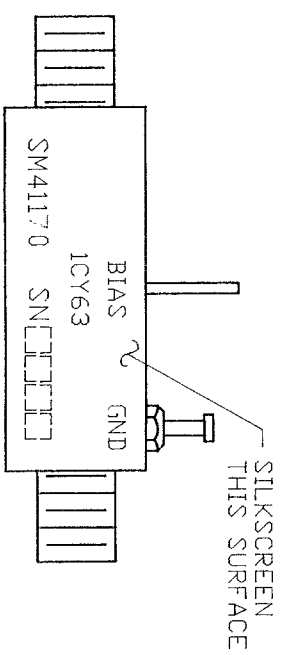
INSERTION LOSS: 0.6 dB MAX

DC: DC COUPLED TO BIAS PORT

RF: AC COUPLED TO BIAS PORT

DC VOLTAGE (MAX): 50V

DC CURRENT (MAX): 1.0 A



| PARTS LIST |          | NONCIRCULAR PART OR DESCRIPTION |  | MATERIAL SPECIFICATION |  |
|------------|----------|---------------------------------|--|------------------------|--|
| QTY        | PSOM NO. | PART OR IDENTIFYING NO.         |  |                        |  |
|            |          |                                 |  |                        |  |

|   |                     |              |           |
|---|---------------------|--------------|-----------|
| UNLESS OTHERWISE SPECIFIED DIMENSIONS ARE IN INCHES |                     | CONTRACT NO. |           |
| TOLERANCES ARE:                                     | DECIMALS .02 ANGLES | DRAWN        | APPROVALS |
| FRACTIONS XXX .010                                  |                     | A WILSON     | DATE      |
|   |                     | CHECKED      |           |
|   |                     | ISSUED       |           |
|   |                     |              |           |

|             |         |         |
|-------------|---------|---------|
| FINISH      | SM41170 | USED ON |
| APPLICATION |         |         |

|       |          |              |       |
|-------|----------|--------------|-------|
| SIZE  | PSOM NO. | DWG. NO.     | REV   |
| B     | 1CY63    | 305-0122-001 | A     |
| SCALE |          |              | SHEET |

**SIERRA MICROWAVE TECHNOLOGY**

OUTLINE FOR SM41170